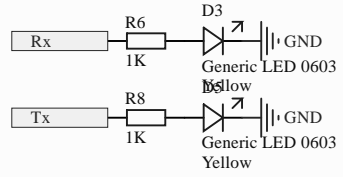
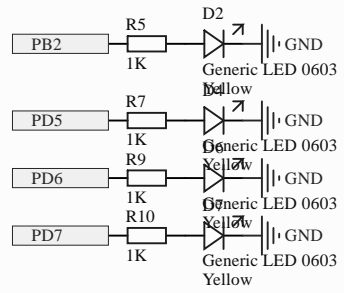
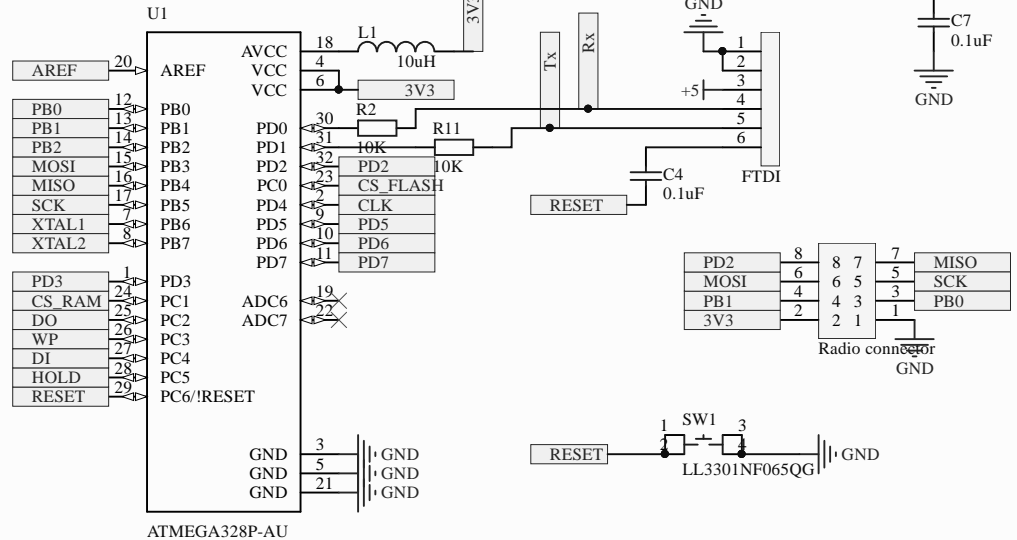
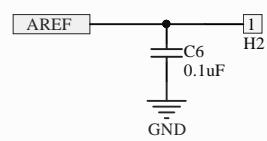
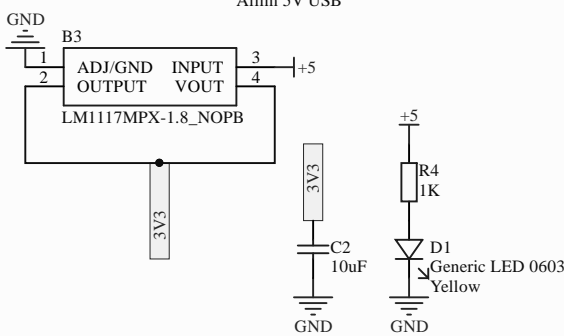
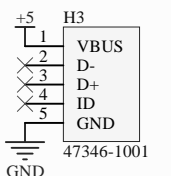
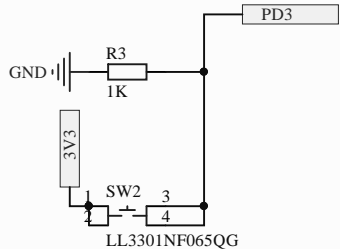
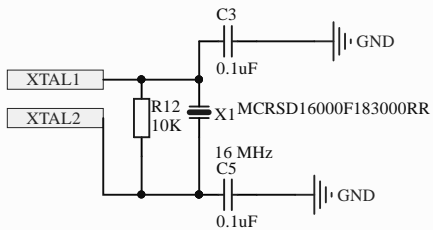
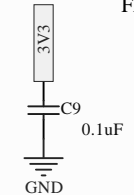
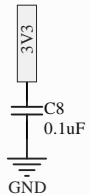


RAM 1MB

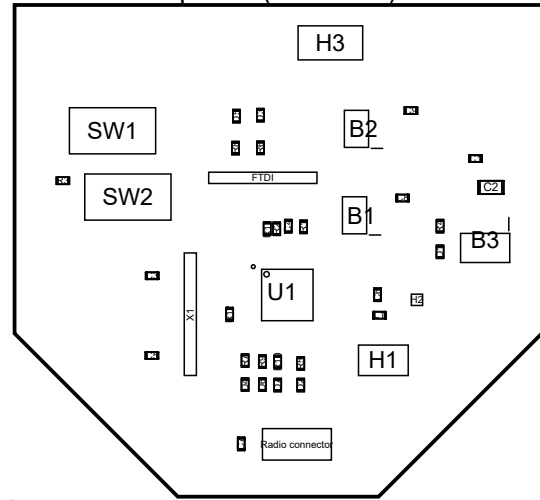
FLASH 1MB



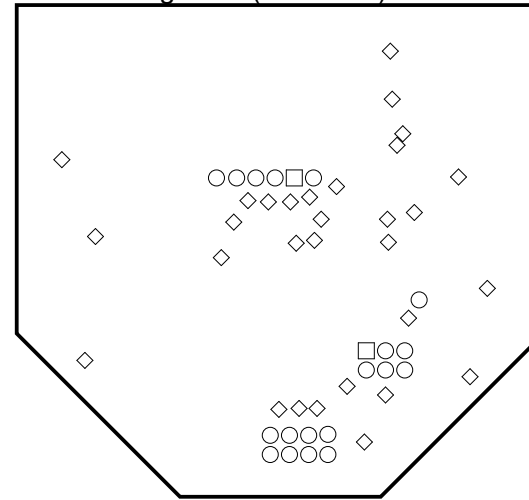
| | | |
|-------|----------------------------|-----------|
| Title | | |
| Size | Number | Revision |
| A4 | | |
| Date: | 13/03/2019 | Sheet of |
| File: | D:\Drive\...\Sheet1.SchDoc | Drawn By: |

| Comment | Description | Designator | LibRef | Quantity | Value |
|----------------------|--|---------------------------------|----------------------|----------|--------|
| 47346-1001 | USB Connectors uUSB B Rec BotMt Flangeless SMT | H3 | 47346-1001 | 1 | |
| ATMEGA328P-AU | Microcontroller Mcu, 8 Bit, Atmega, 20mhz, Tqfp-32 | U1 | ATMEGA328P-AU | 1 | |
| AVR ISP | Programmation SPI AVR microcontrollers | H1 | ICSP | 1 | |
| Header1x1 | Generic header 1 x 1 contacts | H2 | Header1x1 | 1 | |
| Header1x6 | Generic header 1 x 6 contacts | FTDI | Header1x6 | 1 | |
| Header2x4 | Generic header 2.54 mm 2 x 4 contacts | Radio connector | Header2x4 | 1 | |
| IS62WVS1288FBL-20NLI | SRAM 1Mb 128Kx8 20MHz 2.2-3.6V Serial SRAM | B1 | IS62WVS1288FBL-20NLI | 1 | |
| LL3301NF065QG | ushbutton Switches 50mA 12VDC F065 4.3mm Gull Wing | SW1, SW2 | LL3301NF065QG | 2 | |
| LM1117MPX-1.8_NOPB | Space saving 800-mA low-dropout linear regulator with internal current limit | B3 | LM1117MPX-1.8_NOPB | 1 | |
| MCRSD16000F183000RR | QUARTZ 16MHZ 18PF HC49-US SMD | X1 | MCRSD16000F183000RR | 1 | |
| W25X10CLSNI | NOR Flash spiFlash, 1M-bit, 4Kb Uniform Sector | B2 | W25X10CLSNI | 1 | |
| CAP0603 | Generic capacitor | C1, C3, C4, C5, C6, C7, C8, C9 | CAP_0603 | 8 | 0.1uF |
| RES 0603 | Generic resistor | R3, R4, R5, R6, R7, R8, R9, R10 | RES_0603 | 8 | 1K |
| RES 0603 | Generic resistor | R1, R2, R11, R12 | RES_0603 | 4 | 10K |
| CAP 1206 | Generic capacitor | C2 | CAP_1206 | 1 | 10uF |
| Inductor 0603 | Default inductor | L1 | IND_0603 | 1 | 10uH |
| Generic LED 0603 | Generic LED, 0603 package | D1, D2, D3, D4, D5, D6, D7 | LED_0603 | 7 | Yellow |

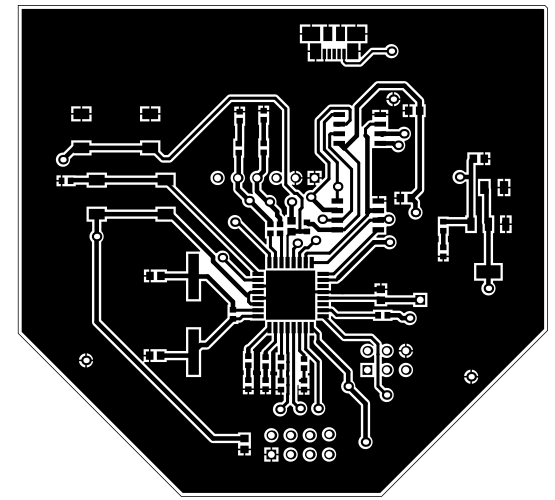
View from Top side (Scale 1:1)



Drill Drawing View (Scale 1:1)



Top Layer (Scale 1:1)



Drill Table

| Symbol | Count | Hole Size | Plated | Hole Tolerance |
|--------|----------|-----------|------------|----------------|
| ◇ | 30 | 0.71mm | Plated | None |
| □ | 2 | 0.90mm | Non-Plated | None |
| ○ | 19 | 0.90mm | Plated | None |
| | 51 Total | | | |

Bill Of Materials

| Line # | Designator | Comment | Quantity | Value |
|--------|---------------------------------|-----------------------|----------|--------|
| | B1 | IS62WVS1288FBLL-20NLI | 1 | |
| | B2 | W25X10CLSNIG | 1 | |
| | B3 | LM1117MPX-1.8_NOPB | 1 | |
| | C1, C7, C8, C9 | CAP0603 | 4 | 0.1u |
| | C2 | CAP 1206 | 1 | 10uF |
| | C3, C4, C5, C6 | CAP0603 | 4 | 0.1 uF |
| | D1, D2, D3, D4, D5, D6, D7 | Generic LED 0603 | 7 | Yellow |
| | FTDI | Header1x6 | 1 | |
| | H1 | AVR ISP | 1 | |
| | H2 | Header1x1 | 1 | |
| | H3 | 47346-1001 | 1 | |
| | L1 | Inductor 0603 | 1 | 10u |
| | R1, R2, R11, R12 | RES 0603 | 4 | 10K |
| | R3, R4, R5, R6, R7, R8, R9, R10 | RES 0603 | 8 | 1K |
| | Radio connector | Header2x4 | 1 | |
| | SW1, SW2 | LL3301NF065QG | 2 | |
| | U1 | ATMEGA328P-AU | 1 | |
| | X1 | MCRSD16000F183000RR | 1 | |

Bottom Layer (Scale 1:1)

