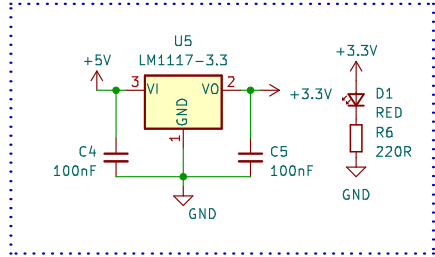
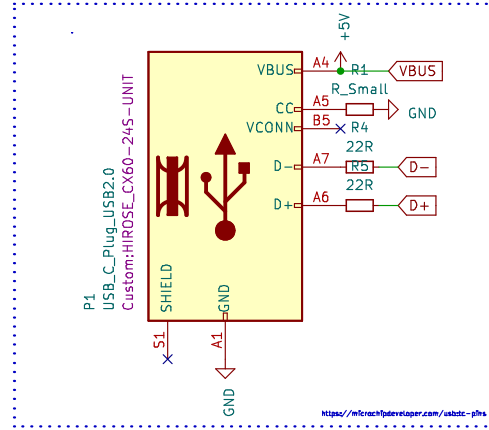


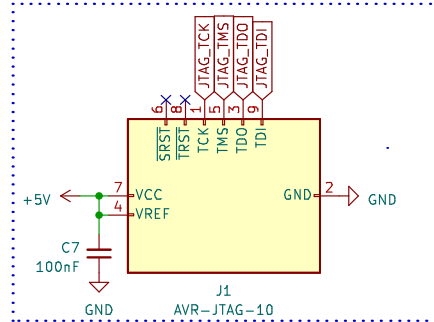
Power



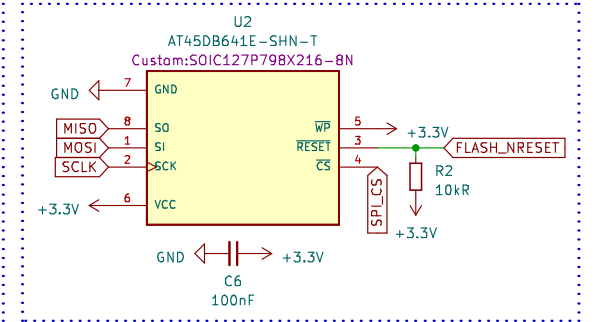
USB C Plug



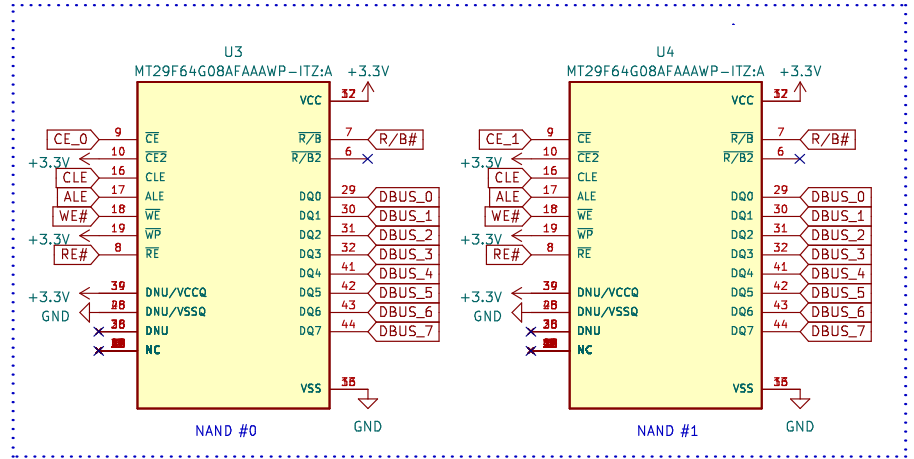
JTAG Plug



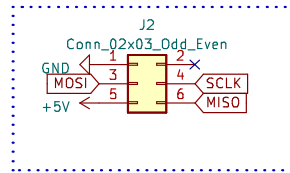
SPI Flash



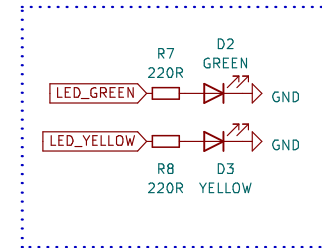
NAND Flash



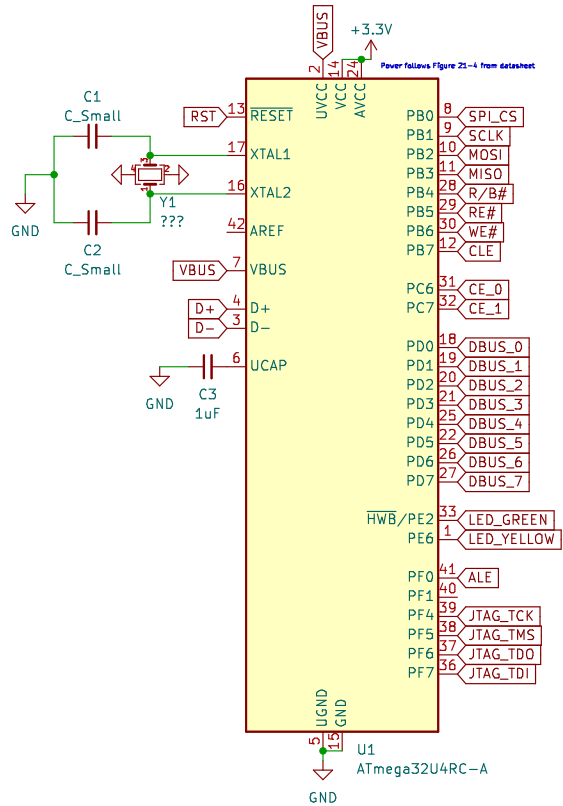
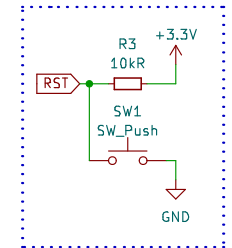
ISP



Leds



Reset



Sheet:
File: usbkey.kicad_sch

Title: **Usb key**

Size: A4 Date: 2022-12-10
KiCad E.D.A. kicad 6.99.0-0efc1149af

Rev: **1.0**
Id: 1/1